

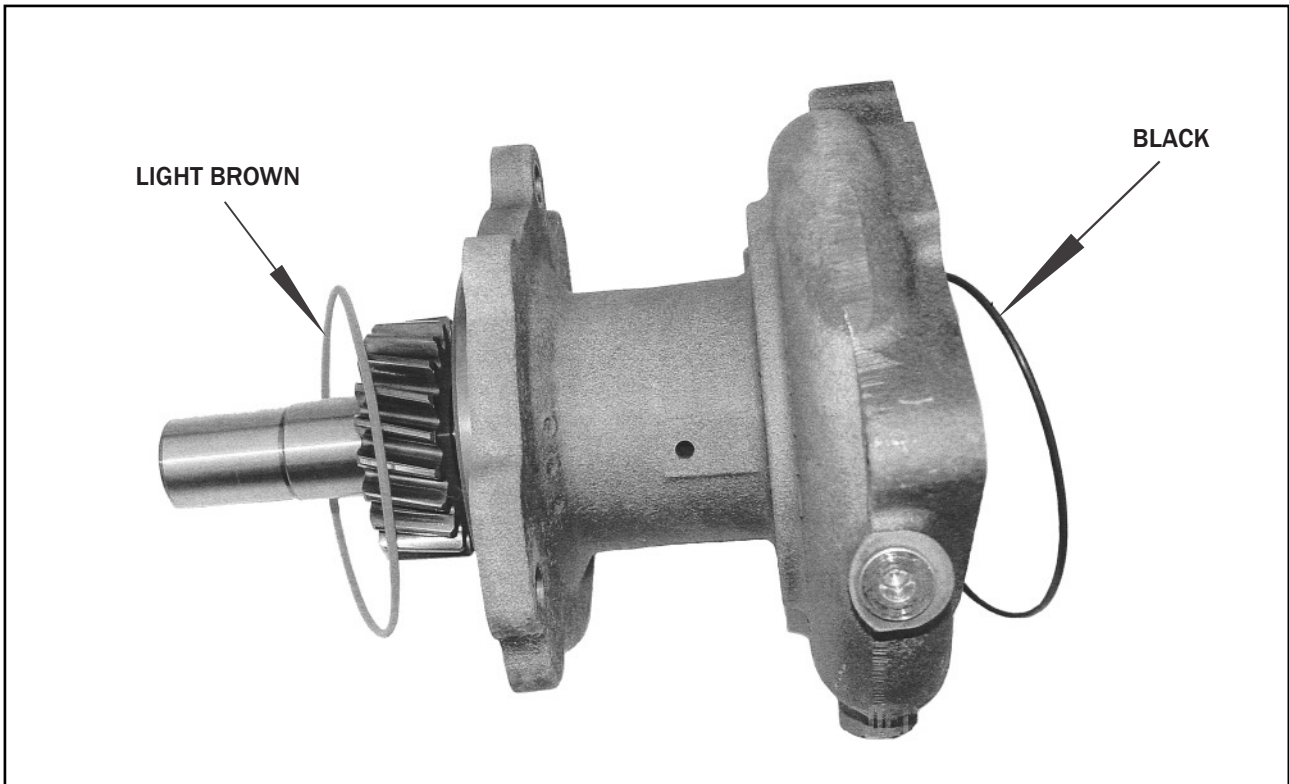
# CAUTION!

## SPECIAL ASSEMBLY INSTRUCTIONS

*Failure to follow the instructions will void the warranty on this pump.*

### Caution:

**See picture for proper  
O-ring location.**



Although care has been taken to assure the accuracy of the data compiled in this publication, the manufacturer does not assume any liability for errors or omissions.