

CAUTION!

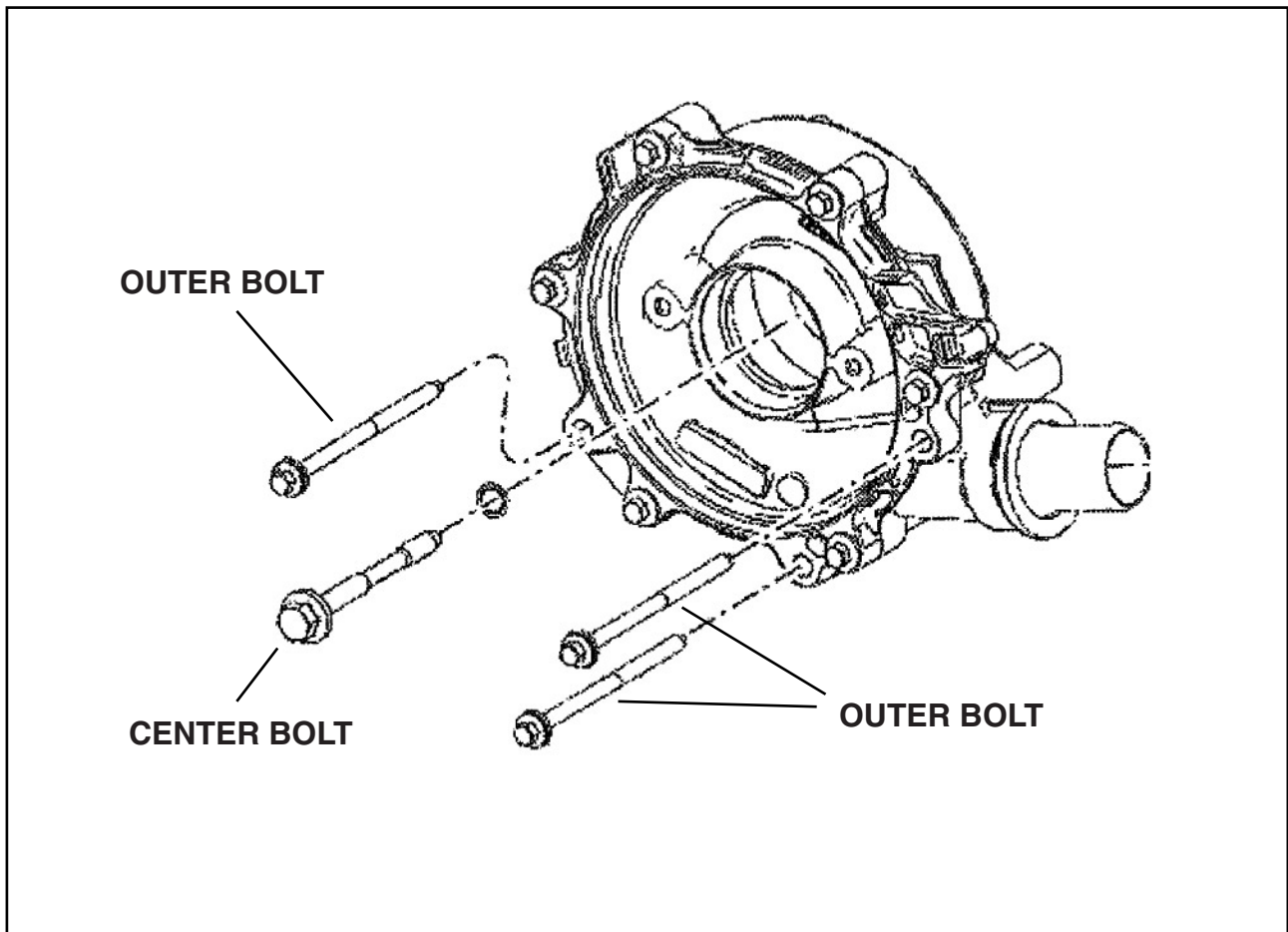
SPECIAL ASSEMBLY INSTRUCTIONS

Failure to follow the instructions will void the warranty on this pump.

The center (impeller) bolt on this water pump must not be over-tightened. Over-tightening will result in damage to the pump and/or engine components. See illustration for bolt locations.

Proper torque and proper torque sequence is essential.

1. Install and tighten the center bolt to 4 Nm (35 inch lbs.).
2. Loosely install the three outer bolts. (must reuse original bolts)
3. Tighten the center bolt to 25 Nm (18 ft. lbs.).
4. Tighten the three outer bolts to 10 Nm (89 inch lbs.).



Although care has been taken to assure the accuracy of the data compiled in this publication, the manufacturer does not assume any liability for errors or omissions.