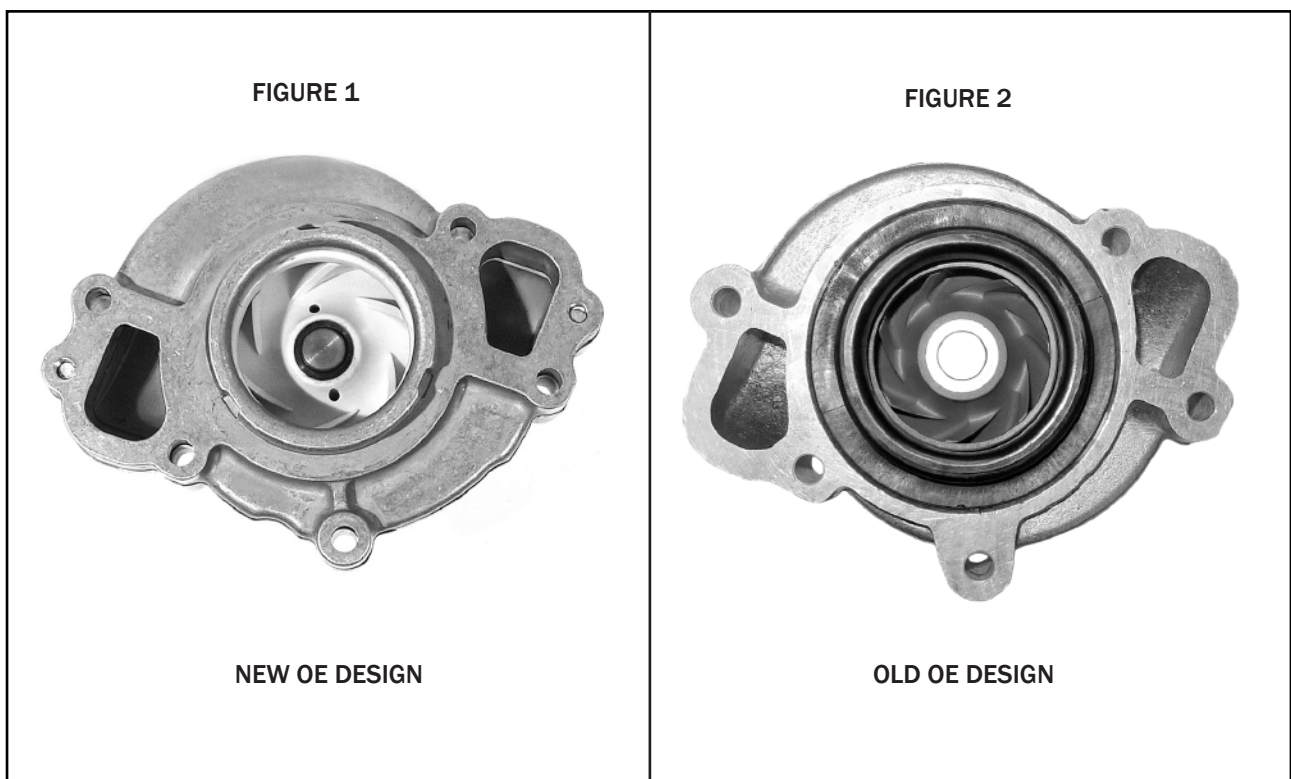


IMPORTANT!

TECHNICAL SERVICE BULLETIN

The OE manufacturer has changed the housing design on this water pump. Instead of a plastic insert with an o-ring and a gasket, the new housing is all metal with a gasket. The raised portion of the housing is not a sealing surface. The pump provided (Figure 1) may appear different from the water pump you are replacing (Figure 2). The enclosed water pump matches the new OE design and will perform to OE standards.



Although care has been taken to assure the accuracy of the data compiled in this publication, the manufacturer does not assume any liability for errors or omissions.