

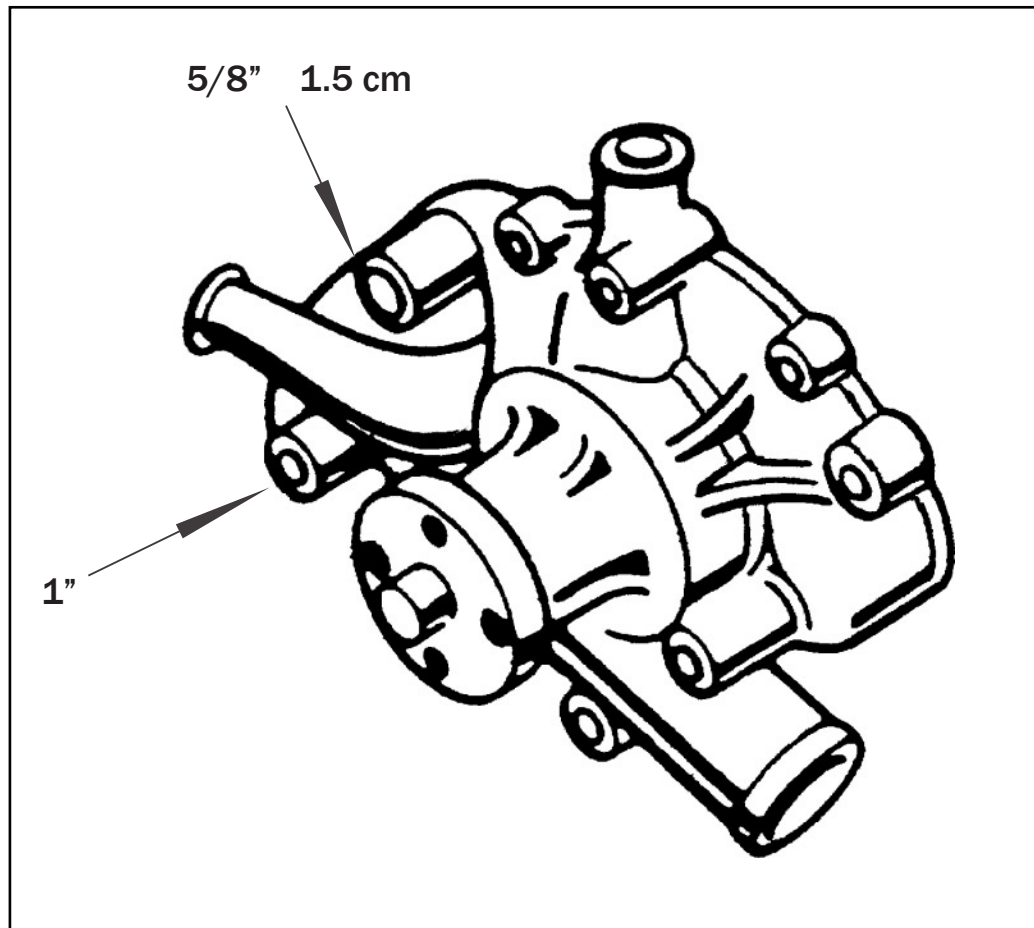
CAUTION!

SPECIAL ASSEMBLY INSTRUCTIONS

Failure to follow the instructions will void the warranty on this pump.

Two metal spacers must be used on 1978 and later vehicles. A 5/8" thickspacer is used on the mounting boss above the heater fitting and a 1" thickspacer is used below.

(See illustration)



Although care has been taken to assure the accuracy of the data compiled in this publication, the manufacturer does not assume any liability for errors or omissions.